

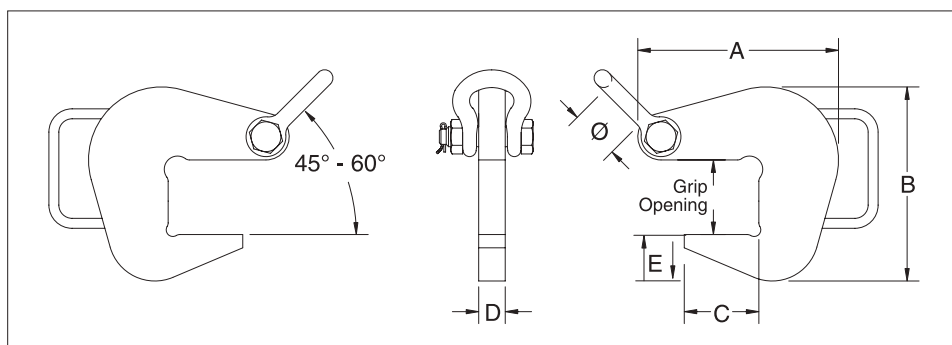


LIFTING CLAMPS & MAGNETS

IPPH



- Crosby IP Pipe Hooks provide a fast and efficient method for lifting pipe, tube or any similarly shaped fabrications.
- Alloy steel plate construction.
- Equipped with a convenient handle.
- Equipped with a Bolt Type Shackle.
- Optional non marring inserts available.
- Used in pairs with 45° - 60° horizontal angle or 60° - 90° included angle.



Pipe Hook

Model	Working Load Limit Per Pair (t)**	Stock No.	Weight Each (kg)	Grip Opening (mm)	Dimensions (mm)						Shackle Size (mm)	Nylon (PA6) Inserts*
					A	B	C	D	E	Ø		
IPPH	2	2734500	2.70	52.3	148	129	52.3	25.4	31.8	42.9	5/8	2734900 2734909
IPPH	4	2734509	4.56	71.4	192	186	71.4	25.4	44.4	42.9	5/8	2734918
IPPH	6	2734518	8.05	103	259	256	103	25.4	57.2	50.8	3/4	2734927
IPPH	10	2734527	17.5	154	376	383	154	25.4	88.9	68.3	1.0	2734936

**Design factor based on EN13155 and ASME B30.20.

NOTE: To determine grip opening when equipped with an insert, add the insert thickness shown in the Pipe Hook Insert table below.

IPPHI



- Replaceable nylon (PA6) inserts for use with the IPPHI Pipe Hook that minimizes thread and pipe damage.

Pipe Hook Inserts

Model	Stock No.	ID of Pipe (mm)	Grip Opening (mm)
IPPHI	2734900	76 - 305	41
	2734909	305 - 457	44
	2734918	457 - 762	63
	2734927	762 - 1067	95
	2734936	1067 - 1329	145

